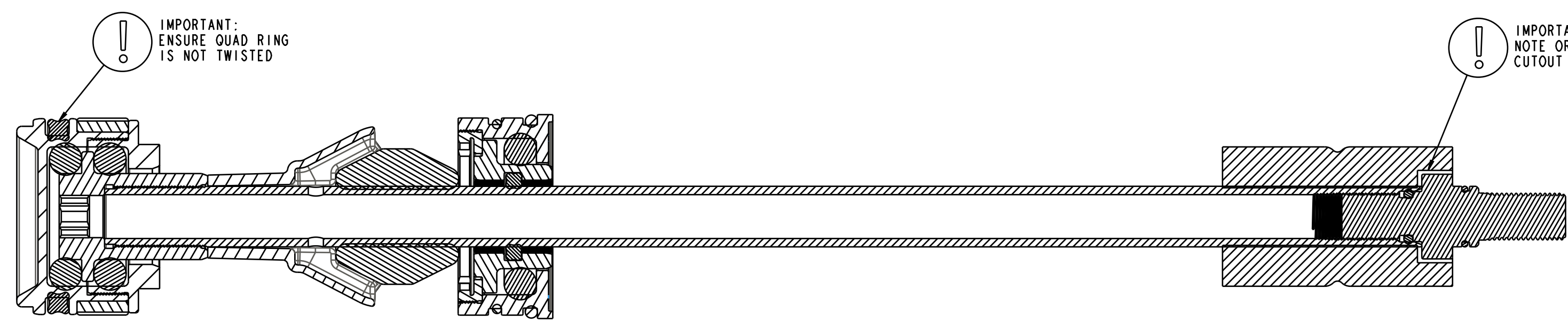


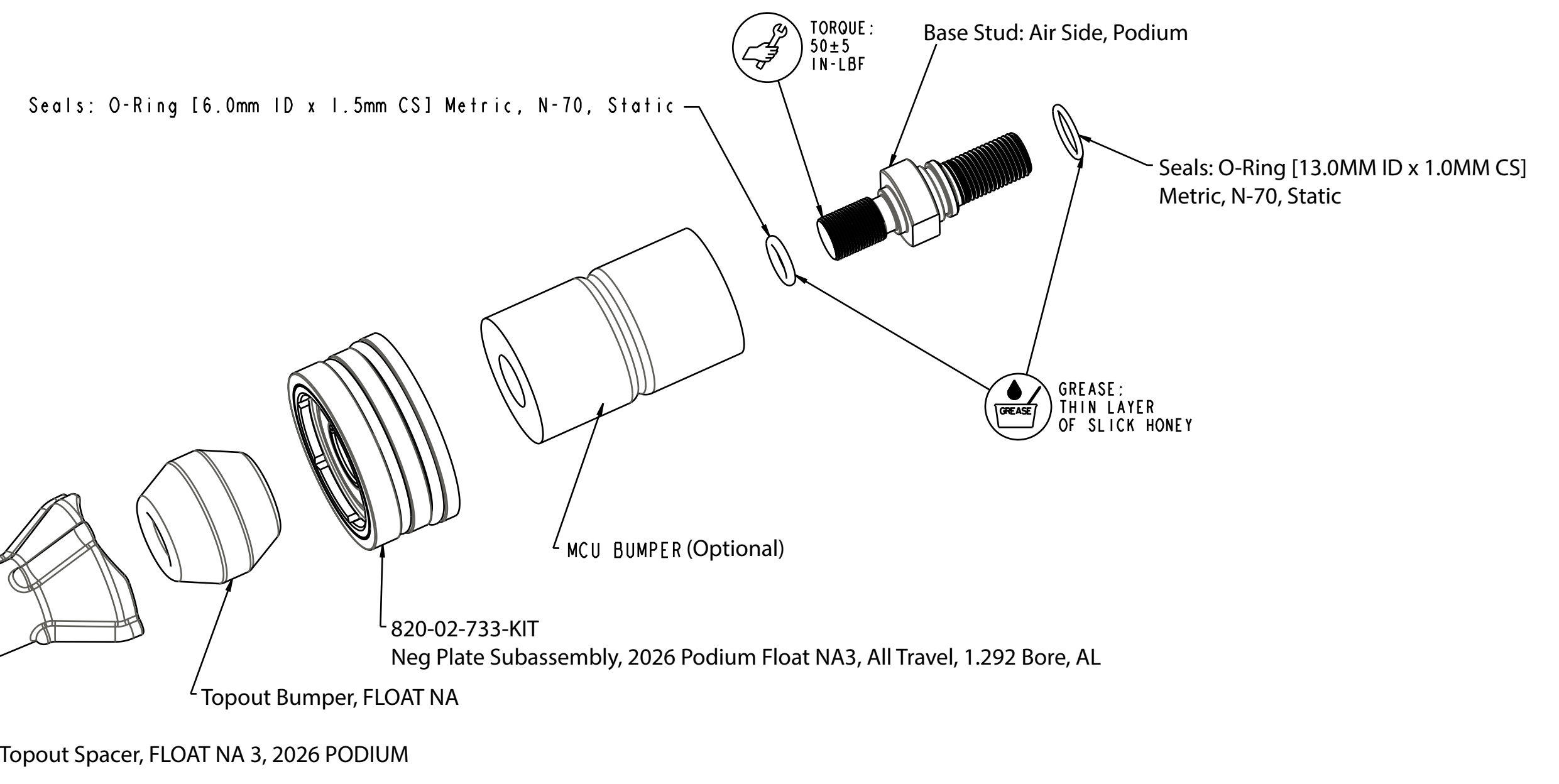
PROPRIETARY
 THIS DOCUMENT CONTAINS CONFIDENTIAL, PROPRIETARY INFORMATION THAT IS FOX PROPERTY. DO NOT DISCLOSE TO OR DUPLICATE FOR OTHERS EXCEPT AS AUTHORIZED BY FOX.



SECTION A-A
 SCALE 1.5:1

IMPORTANT:
 ENSURE QUAD RING IS NOT TWISTED

IMPORTANT:
 NOTE ORIENTATION OF OPTIONAL MCU BUMPER CUTOUT FACES THE BASE STUD



Seals: O-Ring [6.0mm ID x 1.5mm CS] Metric, N-70, Static

TORQUE:
 50±5
 IN-LBF

Base Stud: Air Side, Podium

Seals: O-Ring [13.0MM ID x 1.0MM CS] Metric, N-70, Static

GREASE:
 THIN LAYER
 OF SLICK HONEY

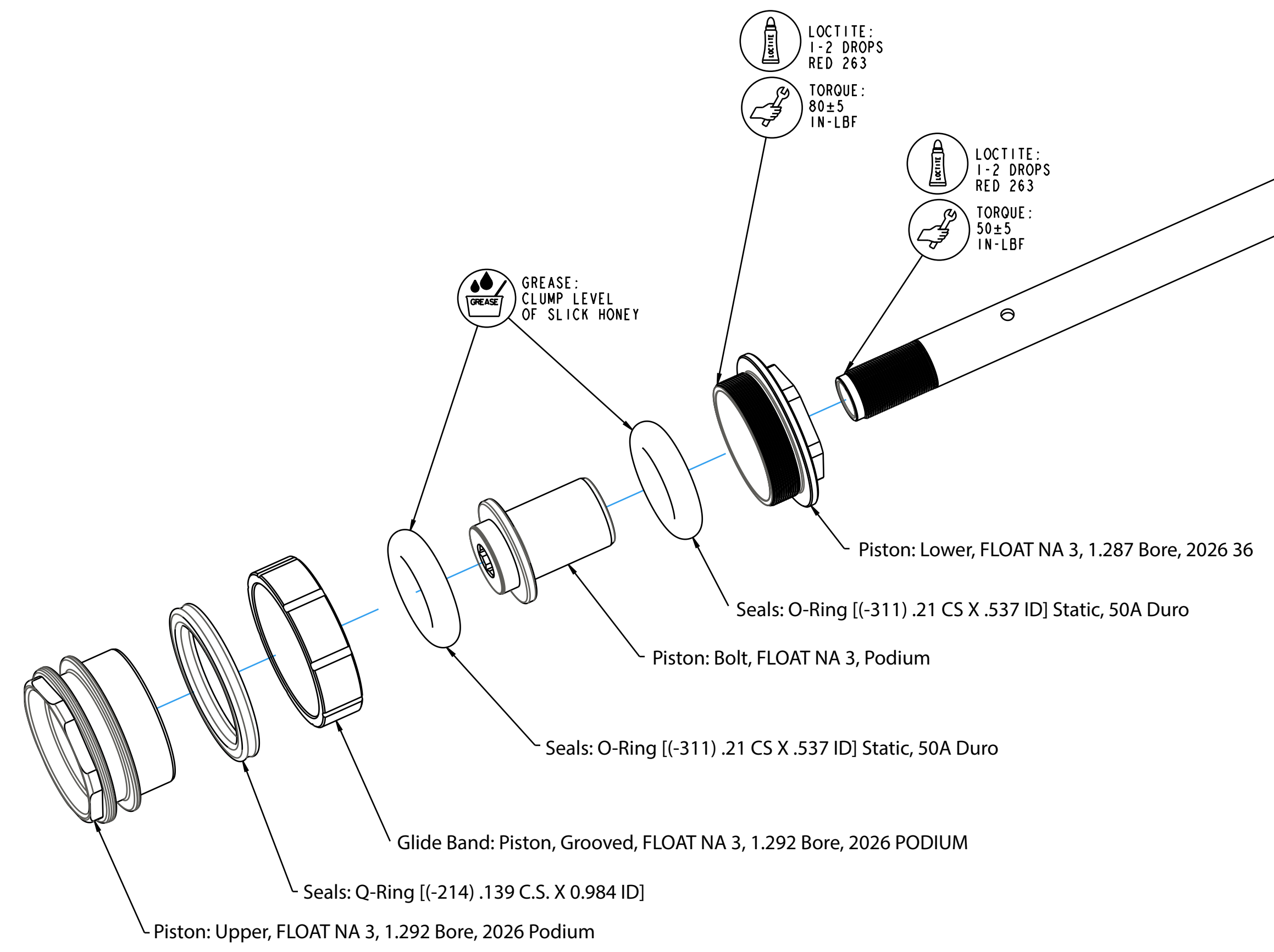
MCU BUMPER (Optional)

820-02-733-KIT
 Neg Plate Subassembly, 2026 Podium Float NA3, All Travel, 1.292 Bore, AL

Topout Bumper, FLOAT NA

Topout Spacer, FLOAT NA 3, 2026 PODIUM

LOCTITE:
 1-2 DROPS
 RED 263



Shaft, 10mm, FLOAT NA 3, PODIUM

LOCTITE:
 1-2 DROPS
 RED 263

TORQUE:
 80±5
 IN-LBF

LOCTITE:
 1-2 DROPS
 RED 263

TORQUE:
 50±5
 IN-LBF

GREASE:
 CLUMP LEVEL
 OF SLICK HONEY

Piston: Lower, FLOAT NA 3, 1.287 Bore, 2026 36

Seals: O-Ring [(-311) .21 CS X .537 ID] Static, 50A Duro

Piston: Bolt, FLOAT NA 3, Podium

Seals: O-Ring [(-311) .21 CS X .537 ID] Static, 50A Duro

Glide Band: Piston, Grooved, FLOAT NA 3, 1.292 Bore, 2026 PODIUM

Seals: Q-Ring [(-214) .139 C.S. X 0.984 ID]

Piston: Upper, FLOAT NA 3, 1.292 Bore, 2026 Podium

FOX Factory, Inc. 2055 Sugarloaf Circle, Suite 300 Duluth, Ga 30097 USA Phone 800-369-7469	
TITLE Air Shaft Assy, 2026 Podium, Float NA3 Glidecore	
SIZE D	DWG. NO.
PLOT SCALE: 1.25:1	
REV B	
SHEET: 1 OF 1	